

Service Manual

Rechargeable Beard/Hair Trimmer

Model No. **ER-GB40**



Europe
CIS

⚠ WARNING

This service information is designed for experienced repair technicians only and is not designed for use by the general public. It does not contain warnings or cautions to advise non-technical individuals of potential dangers in attempting to service a product. Products powered by electricity should be serviced or repaired only by experienced professional technicians. Any attempt to service or repair the product or products dealt with in this service information by anyone else could result in serious injury or death.

IMPORTANT SAFETY NOTICE

There are special components used in this equipment which are important for safety. These parts are marked by **⚠** in the Schematic Diagrams, Circuit Board Diagrams, Exploded Views and Replacement Parts List. It is essential that these critical parts should be replaced with manufacturer's specified parts to prevent shock, fire or other hazards. Do not modify the original design without permission of manufacturer.

TABLE OF CONTENTS

	PAGE	PAGE
1 Warning -----	2	
2 Specifications -----	2	
3 Troubleshooting Guide -----	3	
4 Disassembly and Assembly Instructions -----	4	
4.1. Disassembly Instuctions -----	4	
4.2. Cautions in Assembly -----	5	
5 Schematic Diagram -----	7	
6 Exploded View and Replacement Parts List -----	8	
6.1. Exploded View -----	8	
6.2. Replacement Parts List -----	9	

Panasonic

© Panasonic Corporation 2012 Unauthorized copying and distribution is a violation of law.

1 Warning

Caution:

- Pb free solder has a higher melting point than standard solder; Typically the melting point is 50 - 70°F (30 - 40°) higher. Please use a soldering iron with temperature control and adjust it to 750 ± 20°F (400 ± 10°). In case of using high temperature soldering iron, please be careful not to heat too long.
- Pb free solder will tend to splash when heated too high (about 1100°F / 600°C).

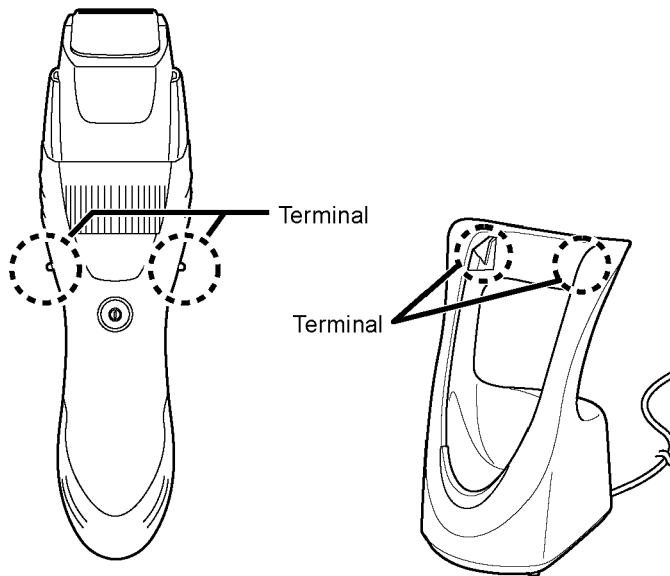
2 Specifications

Power source	for Europe and CIS	AC 230V, 50Hz	
	for the United Kingdom	AC 230-240V, 50Hz	
Motor voltage	1.2 V		
Charging time	RE7-69	230V-	Approx. 8 hours
	RE7-74 for the United Kingdom	240V-	Approx. 8 hours
		230V-	Approx. 10 hours
Weight	150g		

Supplied accessories	Comb attachment
	Cleaning brush
	Oil

3 Troubleshooting Guide

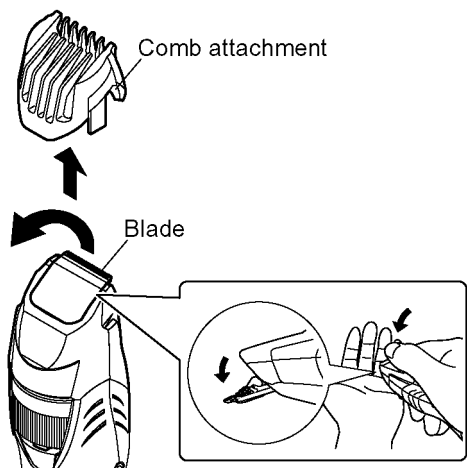
<TROUBLE>	<CHECK.>	<REMEDY>	
Motor does not rotate. Does not charge.	<p align="center"><CHECK AC ADAPTOR.></p> Connect the rated voltage to the normal main unit by the AC adaptor. Check if the charge indicator lamp of AC adaptor is lit.	NO → Replace AC adaptor.	
↓ OK			
Charge the main unit with the AC adaptor from a customer for approximately 30 minutes. And check if the main unit operates or not.			NO → Replace AC adaptor.
↓ OK			
<p align="center"><CHECK RECHARGEABLE BATTERY.></p> Okay if the voltage of rechargeable battery is more than approximately 1.2V DC between (+) and (-) terminals.			NO → Replace rechargeable battery.
↓ OK			
<p align="center"><CHECK MOTOR.></p> Okay if motor rotates when DC1.2V is applied to (+) and (-) terminals.			NO → Replace motor.
↓ OK			
Replace module chassis assembly.			
↓ NO If it does not work properly;			
<p align="center"><CHECK TERMINALS.></p> Check if there is any dirt or rust around the terminal of main unit and AC adaptor.			NO → Clean the terminals only with a soft close slightly dampened with tap water or tissue.



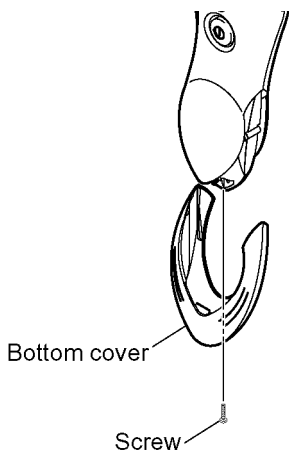
4 Disassembly and Assembly Instructions

4.1. Disassembly Instructions

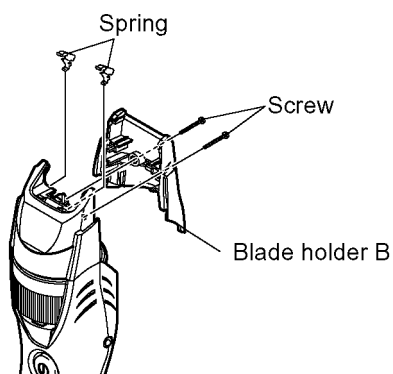
1. Remove the comb attachment.
2. Remove the blade.



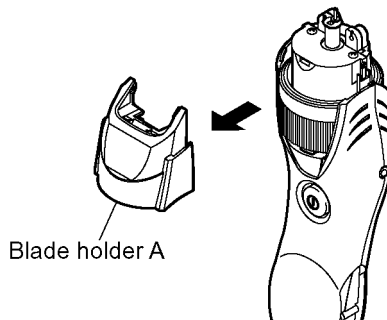
3. Remove one screw.
4. Remove the bottom cover.



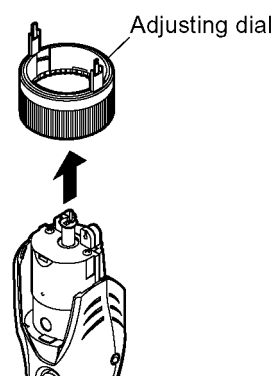
5. Remove two screws.
6. Remove the blade holder B and the spring for cutter.



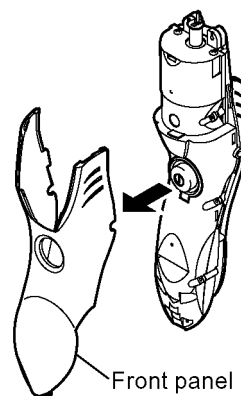
7. Remove the blade holder A.



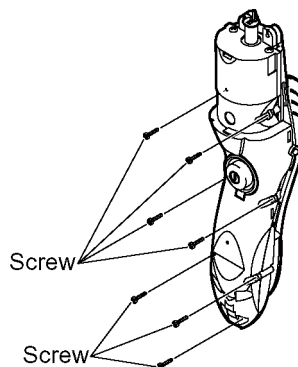
8. Remove the adjusting dial.



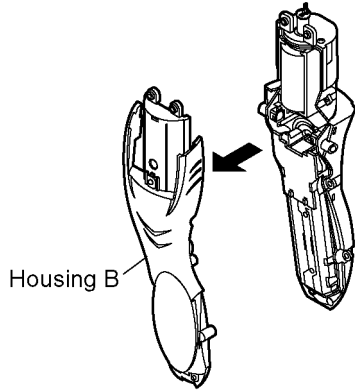
9. Remove the front panel.



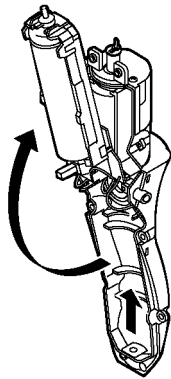
10. Remove the seven screws.



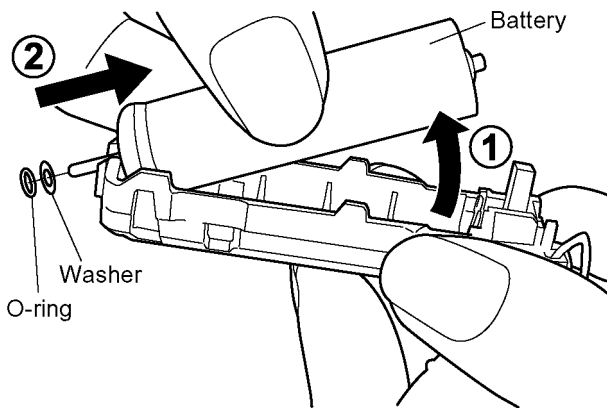
11. Remove the housing B.



12. Slide the chassis, and reversing the direction of the arrow.



13. Remove the battery o-ring and washer in battery. Take out the rechargeable battery from the chassis.



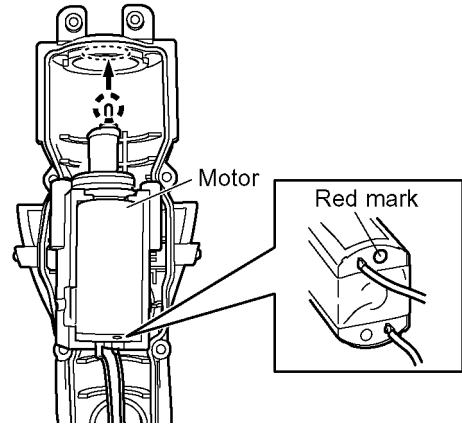
4.2. Cautions in Assembly

NOTE:

When reassembling, replace the new waterproof rubber. Make sure whether there is NO foreign substance sticking around a part covered with water seal.

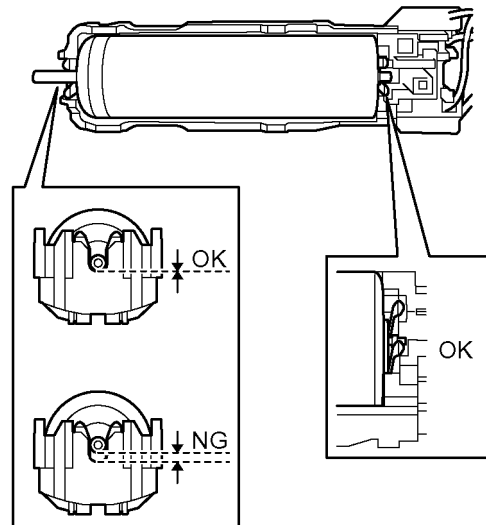
4.2.1. Motor

1. Place the red mark on upper side. Fit the shape of motor balancer and the hole of housing A and insert into housing A.



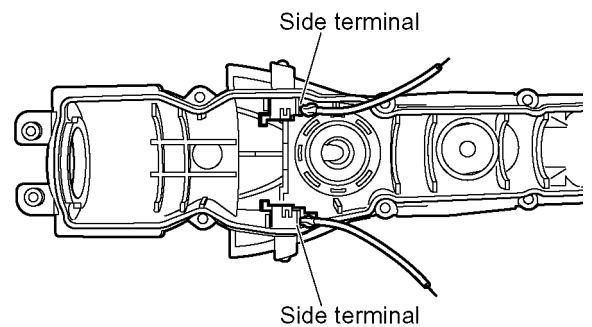
4.2.2. Rechargeable battery

1. Insert the rechargeable battery into chassis. Attach the battery o-ring and washer to the battery.



4.2.3. Side terminal

1. Insert the side terminals on both sides.



4.2.4. Module chassis assembly

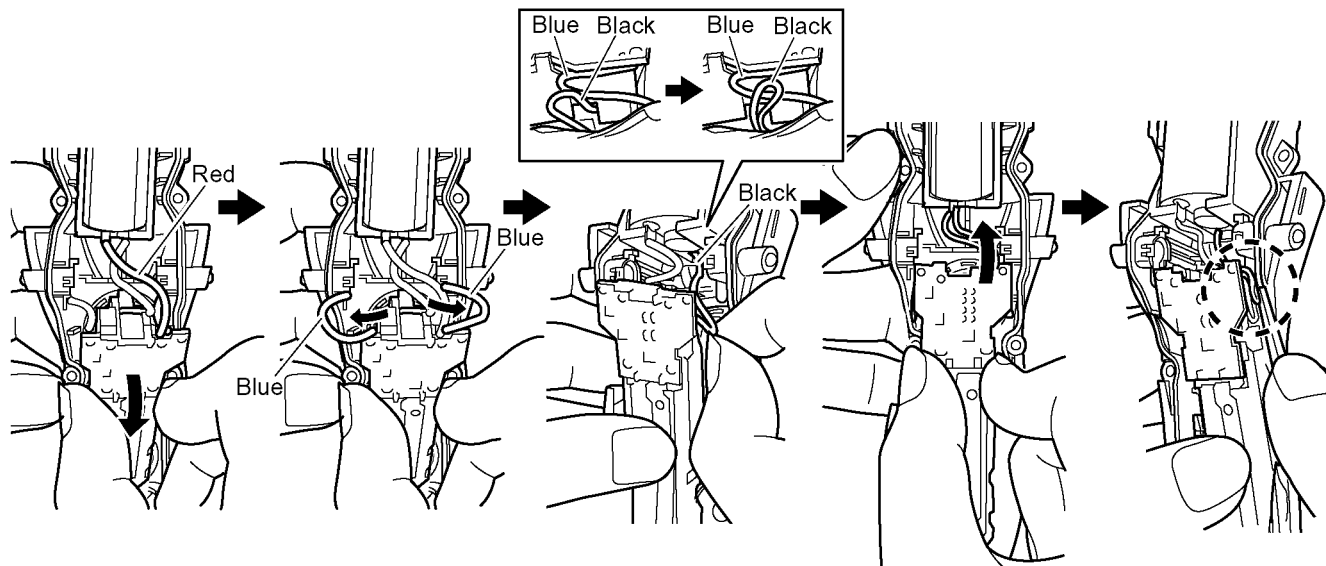
Confirm the correct wiring.

1. Place RED lead wire.
2. Move BLUE lead wires aside.
3. Place BLACK lead wire in right position.

Place module chassis assembly in the housing.

NOTE:

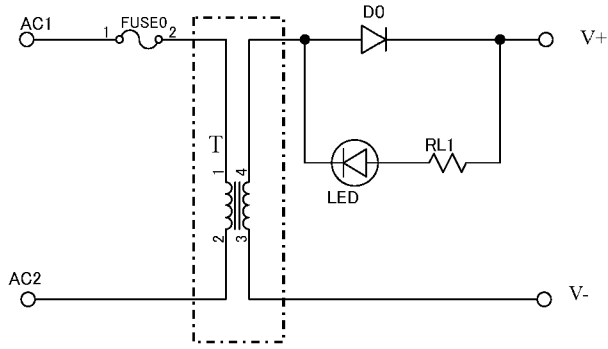
Press fit the lead wire neatly to avoid any pinching especially for the both side.



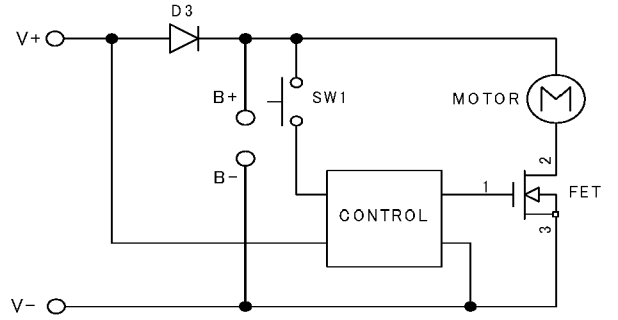
4.2.5. Screw

1. Tighten screws with 1.47+-4.9N cm to prevent the breakage of housing or making a crevice in the housing.

5 Schematic Diagram



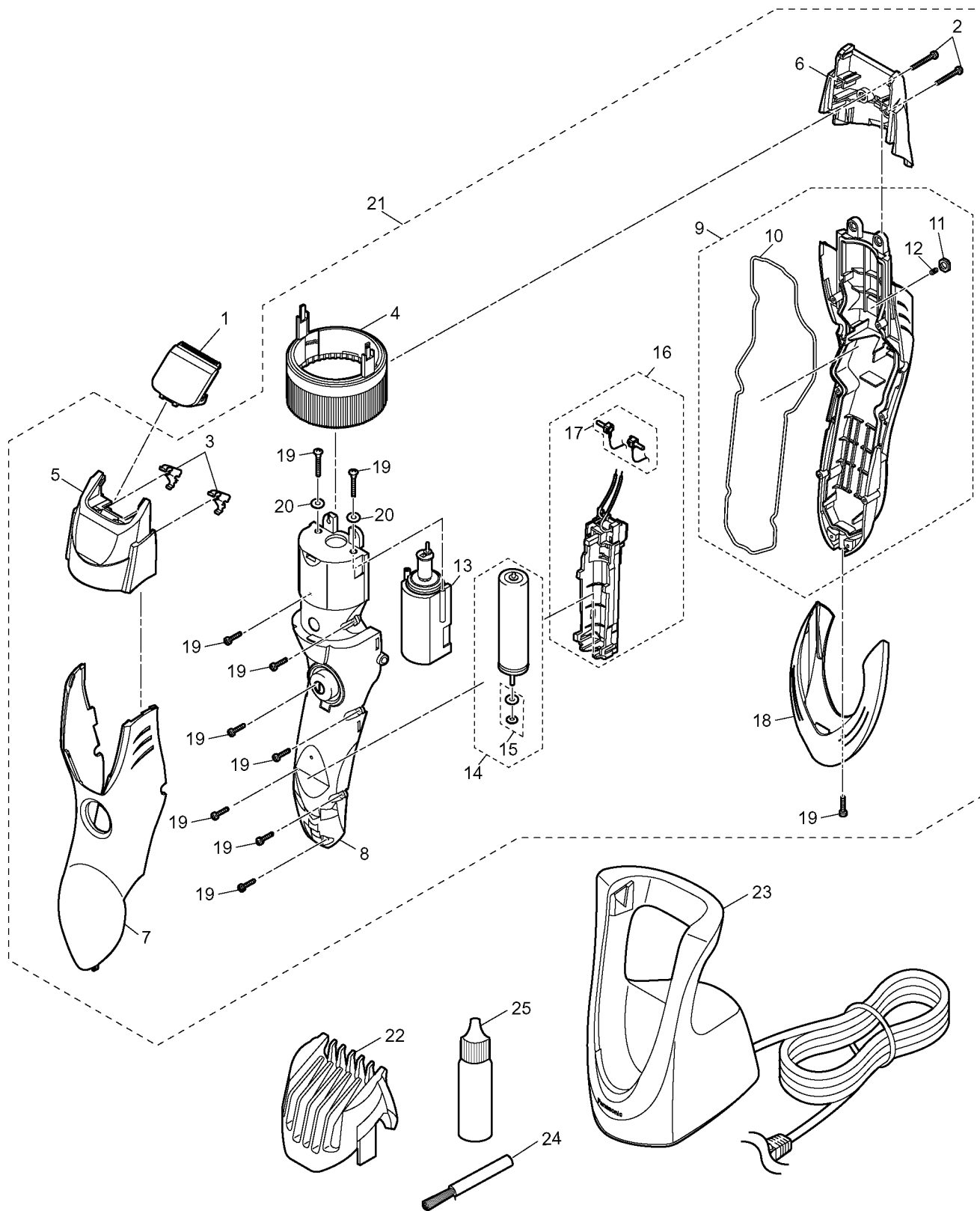
Adaptor



Main unit

6 Exploded View and Replacement Parts List

6.1. Exploded View



6.2. Replacement Parts List

Safety	Ref. No.	Part No.	Part Name & Description	Quantity	Remarks
	1	WER9606Y	BLADE BLOCK	1	
	2	WES7025L9707	SCREW	2	
	3	WER504L0166	SPRING FOR CUTTER	2	(2PCS/PK)
	4	WERGB40S3288	ADJUSTING DIAL	1	for SILVER MODEL
	4	WERGB40A3288	ADJUSTING DIAL	1	for BLUE MODEL
	5	WERGB40S1588	BLADE HOLDER A	1	for SILVER MODEL
	5	WERGB40A1588	BLADE HOLDER A	1	for BLUE MODEL
	6	WERGB40S1598	BLADE HOLDER B	1	for SILVER MODEL
	6	WERGB40A1598	BLADE HOLDER B	1	for BLUE MODEL
	7	WERGB40A3968	FRONT PANEL	1	for SILVER MODEL
	7	WERGB40K3968	FRONT PANEL	1	for BLUE MODEL
	8	WERGB40S3058	HOUSING A	1	for SILVER MODEL
	8	WERGB40A3058	HOUSING A	1	for BLUE MODEL
	9	WERGB40S3069	HOUSING B	1	for SILVER and EUROPE MODEL
	9	WERGB40S3060	HOUSING B	1	for SILVER and UK MODEL
	9	WERGB40S3061	HOUSING B	1	for SILVER and CIS MODEL
	9	WERGB40A3068	HOUSING B	1	for BLUE and EUROPE MODEL
	9	WERGB40A3069	HOUSING B	1	for BLUE and UK MODEL
	9	WERGB40A3060	HOUSING B	1	for BLUE and CIS MODEL
	10	WERGB40L0588	HOUSING O-RING	1	
	11	WERGB40L0458	CLICK BUTTON	1	
	12	WERGB40L0178	SPRING A	1	
	13	WERGB40L1008	MOTOR ASSEMBLY	1	
	14	WESSL41L2508	RECHARGEABLE BATTERY	1	Ni-MH TYPE
	15	WESRW30L0977	WASHER & O-RING SET	1ST	
	16	WESSL41L2108	MODULE CHASSIS ASSEMBLY	1	
	17	WESSL41L2158	SIDE TERMINAL	1ST	
	18	WERGB40S3178	BOTTOM COVER	1	for SILVER MODEL
	18	WERGB40A3178	BOTTOM COVER	1	for BLUE MODEL
	19	WES8176L6056	TAPPING SCREW	9	K2-8
	20	WER217L0967	O-RING B	2	(6PCS/PK)
	21	WERGB40S3039	BODY BLOCK	1	for SILVER and EUROPE MODEL
	21	WERGB40S3030	BODY BLOCK	1	for SILVER and UK MODEL
	21	WERGB40S3031	BODY BLOCK	1	for SILVER and CIS MODEL
	21	WERGB40A3038	BODY BLOCK	1	for BLUE and EUROPE MODEL
	21	WERGB40A3039	BODY BLOCK	1	for BLUE and UK MODEL
	21	WERGB40A3030	BODY BLOCK	1	for BLUE and CIS MODEL
	22	WERGB40S7398	COMB ATTACHMENT (1mm (1/32INCH) to 10mm (13/32INCH))	1	for SILVER MODEL
	22	WERGB40A7398	COMB ATTACHMENT (1mm (1/32INCH) to 10mm (13/32INCH))	1	for BLUE MODEL
	23	WESSL41K7664	AC ADAPTOR	1	C-2 PLUG
	23	WESSL41K7660	AC ADAPTOR	1	B-2 PLUG
	23	WESSL41K7661	AC ADAPTOR	1	C-2 PLUG only for CIS MODEL
	24	WERGB30H7048	CLEANING BRUSH	1	
	25	WERGC20X7918	OIL	1	
	-	WERGB40S8009	INDIVIDUAL BOX	1	for SILVER and EUROPE MODEL
	-	WERGB40S8000	INDIVIDUAL BOX	1	for SILVER and UK MODEL
	-	WERGB40S8001	INDIVIDUAL BOX	1	for SILVER and CIS MODEL
	-	WERGB40A8008	INDIVIDUAL BOX	1	for BLUE and EUROPE MODEL
	-	WERGB40A8009	INDIVIDUAL BOX	1	for BLUE and UK MODEL
	-	WERGB40A8000	INDIVIDUAL BOX	1	for BLUE and CIS MODEL
	-	WERGB40S8109	OPERATING INSTRUCTIONS	1	
	-	WERGB40S8100	OPERATING INSTRUCTIONS	1	only for CIS