

Service  
Service  
Service



Philips Consumer Lifestyle

# Service Manual

## PRODUCT INFORMATION

### General:

- Rechargeable 1 hour
- World-wide automatic voltage selection V100 - 240

### Safety information

- This product meets the requirements regarding interference suppression on radio and TV.
- After the product has been repaired, it should function properly and has to meet the safety requirements as officially laid down at this moment.

## TECHNICAL INFORMATION

- Voltage : 100 - 240 Volt
- Motor voltage : 1,2 Volt
- Shaving heads : HQ55 4222 036 15850
- SAP coding : HQ6990

## DISASSEMBLY- AND RE-ASSEMBLY ADVICE

- No specific issues

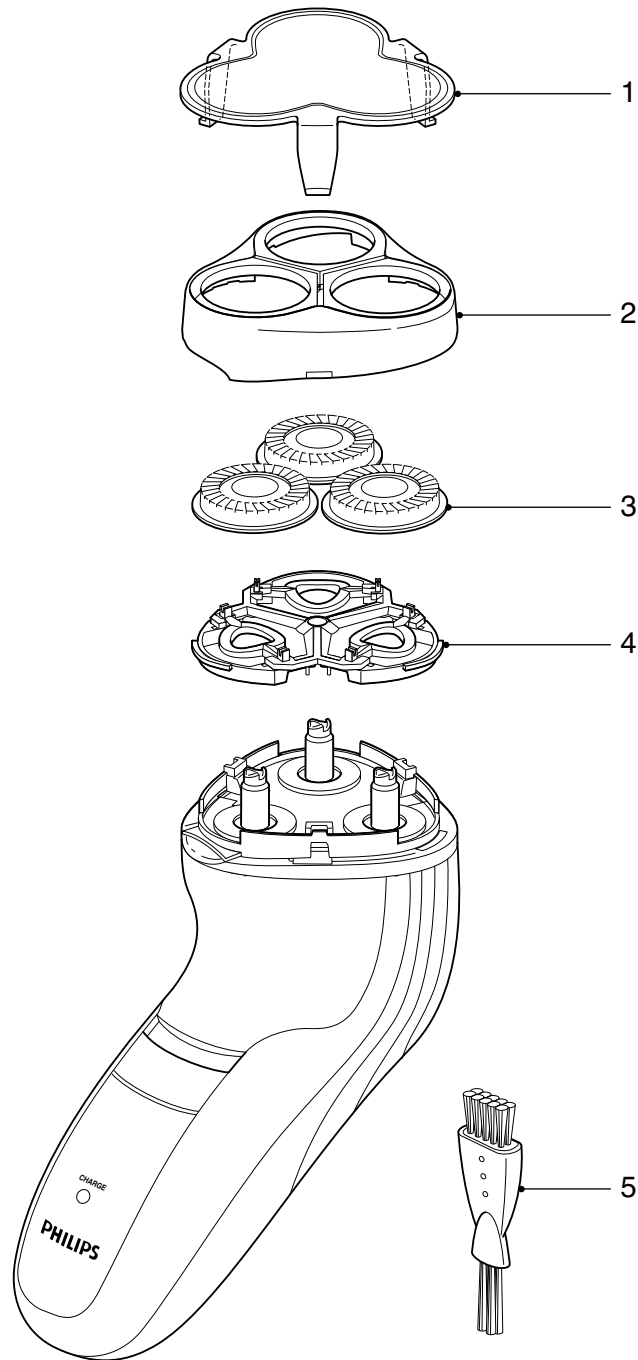
## REPAIR INSTRUCTION

- No specific issues


## OPTIONAL (accessories)

- No specific issues

■ = changed



Pos	Service code	Description
1	4222 036 15320	Protecting cap
2	4222 036 15370	Bracket assy
3	4222 036 15850	Shaving heads
4	4222 036 15390	Holder assy
5	4222 036 02770	Brush
	4222 036 07690	Flex assy EUR
	4822 321 10096	Flex assy GBR
	4822 321 10148	Flex assy AUS/NZ
	4222 036 16560	Flex assy Brasil

 = changed